



SCENIC
DESIGN BY
MATTHEW WEBB

MWEBB@COMM.MSSTATE.EDU
(501) 454-9322



BANNER:
**A SEA
TURTLE
SAGA**
By Tonya
Hays

Directed by
Tonya Hays
Produced by
Northern Gulf
Institute &
Theatre MSU

This is a representation of design concepts only. Matthew Webb takes no responsibility and herewith disclaims liability for any injury resulting from the implementation of these concepts. All work indicated by this drawing must be done in compliance with all applicable federal, state and local fire, safety and electrical codes. The lighting designer and his staff are responsible for visual design of the lighting and are not responsible for structural or electrical accidents resulting in injury or damage. All concepts, ideas, and design elements shown on this drawing and all other documentation or related materials are the property of Matthew Webb and may only be used for this production. The resultant design may not be reproduced without written approval by Matthew Webb.

LIGHTING: Paul Sullivan

COSTUMES: Melanie Harris

ID: Jesse Wade

PUPPETS: Tim Baker

SM: Donovan Andrade

DRAWN BY:
Matt Webb - mwebb@comm.msstate.edu

SCALE: 1/2" = 1' - 0"

PAPER: ARCH E

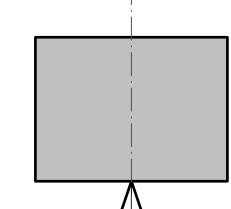
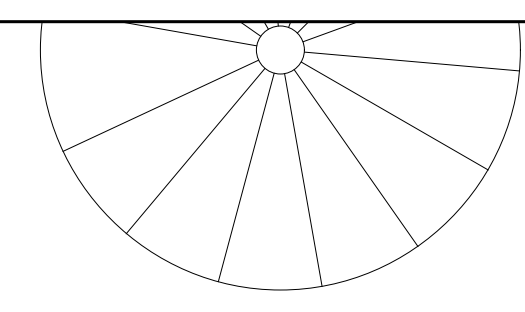
DATE: 10/11/2021

REVISION: 1

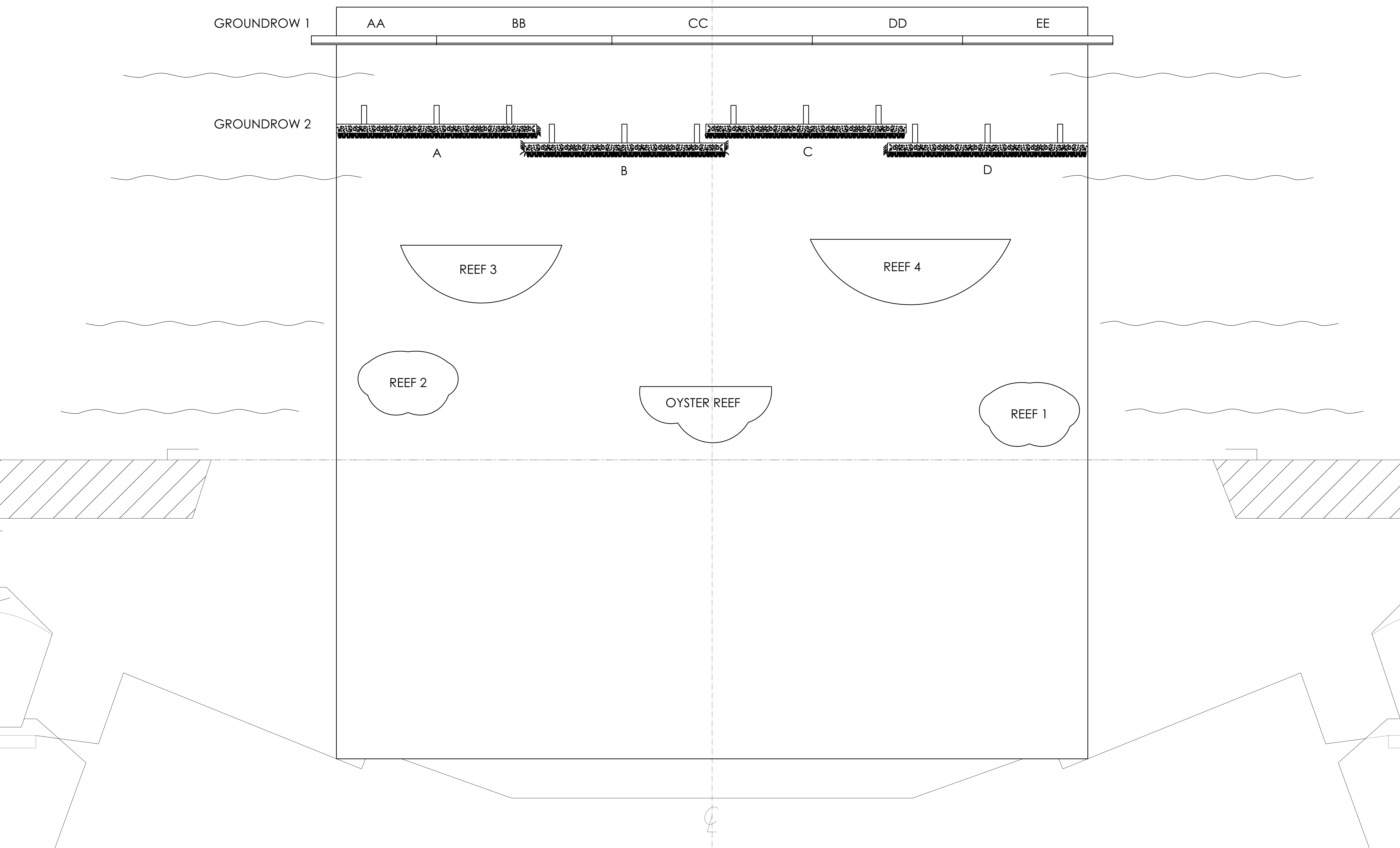
**GENERAL
GROUND
PLAN**

SHEET: 1 OF 5

- 83
- 82
- 81
- 79
- 77
- 75
- 74
- 73
- 71
- 70
- 68
- 67
- 66
- 63 #4 ELECTRIC
- 62 #3 LADDERS
- 61
- 60 BORDER 6
- 59
- 57
- 56
- 54 LEGS 6
- 53 GERMAN
- 50 #3 ELECTRIC
- 49 #2 LADDERS
- 48
- 47
- 44 LEGS 5
- 43 BORDER 5
- 42 PORTAL 3
- 41
- 39
- 38
- 36
- 35 CYC
- 34 MIDSTAGE TRVL
- 33 SCRIM
- 30 #2 ELECTRIC
- 28
- 27 LEGS 3
- 26 BORDER 3
- 25
- 24 HOLD FOR ELEC
- 23
- 21 LEGS 2 (MOVE)
- 20
- 19 PORTAL 2
- 18
- 17 BORDER 2
- 16 DEAD?
- 15
- 12 #1 ELECTRIC
- 10 LEGS 1 (MOVE)
- 9 PORTAL 1
- 8 #1 LADDERS
- 7
- 6 BORDER 1
- 5 AUDIO?
- 4 GRAND DRAPE
- 3 DEAD
- 2 VALENCE
- 1 FIRE CURTAIN



37.51°





SCENIC
DESIGN BY
MATTHEW WEBB
MWEBB@COMM.MSSTATE.EDU
(501) 454-9322



**BANNER:
A SEA
TURTLE
SAGA**
By Tonya
Hays

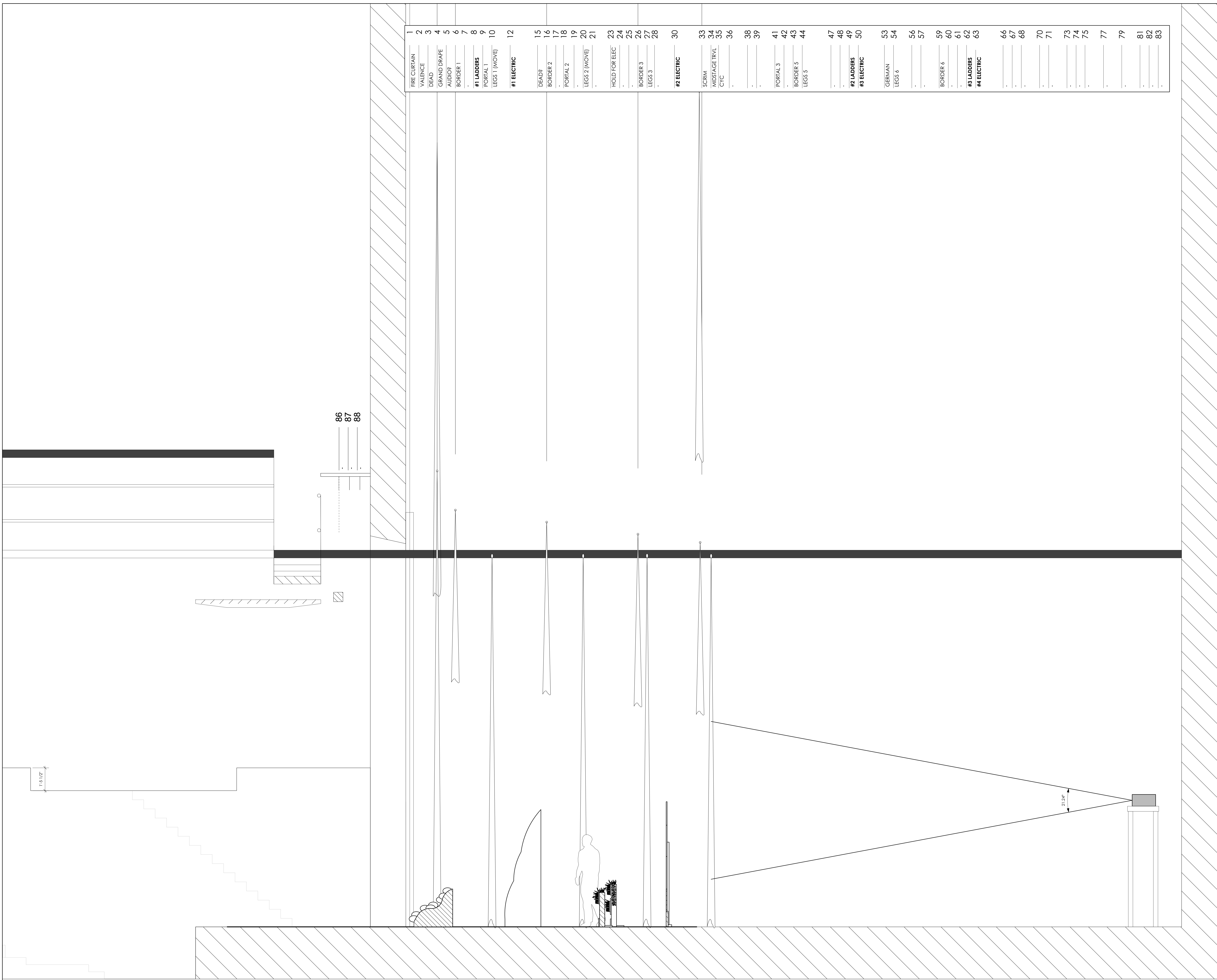
Directed by
Tonya Hays
Produced by
Northern Gulf
Institute &
Theatre MSU

This is a representation of design concepts only. Matthew Webb takes no responsibility and herewith disclaims liability for any injury resulting from the implementation of these concepts. All work indicated by this drawing must be done in compliance with all applicable federal, state and local fire, safety and electrical codes. The lighting designer and his staff are responsible for visual design of the lighting and are not responsible for structural or electrical accidents resulting in injury or damage. All concepts, ideas, and design elements shown on this drawing and all other documentation or related materials are the property of Matthew Webb and may only be used for this production. The resultant design may not be reproduced without written approval by Matthew Webb.

LIGHTING:	Paul Sullivan
COSTUMES:	Melanie Harris
TD:	Jesse Wade
PUPPETS:	Tim Baker
SM:	Donovan Andrade
DRAWN BY:	Matthew Webb - mwebb@comm.msstate.edu
SCALE:	1/2" = 1' - 0"
PAPER:	ARCH E
DATE:	10/11/2021
REVISION:	1

**GENERAL
SECTION
LOOKING SR**
SHEET: 2 OF 5

1	FIRE CURTAIN
2	VALENCE
3	DEAD
4	GRAND DRAPE
5	AUDIO?
6	BORDER 1
7	-
8	#1 LADDERS
9	PORTAL 1
10	LEGS 1 (MOVE)
12	#1 ELECTRIC
15	DEAD?
16	BORDER 2
17	-
18	PORTAL 2
19	-
20	LEGS 2 (MOVE)
21	-
23	HOLD FOR ELEC
24	-
25	-
26	BORDER 3
27	LEGS 3
28	-
30	#2 ELECTRIC
33	SCRIM
34	MIDSTAGE IRVL
35	CYC
36	-
38	-
39	-
41	PORTAL 3
42	-
43	BORDER 5
44	LEGS 5
47	-
48	-
49	#2 LADDERS
50	#3 ELECTRIC
53	GERMAN
54	LEGS 6
56	-
57	-
59	BORDER 6
60	-
61	-
62	#3 LADDERS
63	#4 ELECTRIC
66	-
67	-
68	-
70	-
71	-
73	-
74	-
75	-
77	-
79	-
81	-
82	-
83	-





SCENIC
DESIGN BY
MATTHEW WEBB
MWEBB@COMM.MSSTATE.EDU
(501) 454-9322



BANNER:
**A SEA
TURTLE
SAGA**
By Tonya
Hays

Directed by
Tonya Hays
Produced by
Northern Gulf
Institute &
Theatre MSU

This is a representation of design concepts only. Matthew Webb takes no responsibility and herewith disclaims liability for any injury resulting from the implementation of these concepts. All work indicated by this drawing must be done in compliance with all applicable federal, state and local fire, safety and electrical codes. The lighting designer and his staff are responsible for visual design of the lighting and are not responsible for structural or electrical accidents resulting in injury or damage. All concepts, ideas, and design elements shown on this drawing and all other documentation or related materials are the property of Matthew Webb and may only be used for this production. The resultant design may not be reproduced without written approval by Matthew Webb.

LIGHTING: Paul Sullivan

COSTUMES: Melanie Harris

ID: Jesse Wade

PUPPETS: Tim Baker

SM: Donovan Andrade

DRAWN BY: Matt Webb - mwebb@comm.msstate.edu

SCALE: 1/2" = 1' - 0"

PAPER: ARCH E

DATE: 10/11/2021

REVISION: 1

**GENERAL
FRONT ELEVATION**

SHEET: 3 OF 5





SCENIC DESIGN BY
MATTHEW WEBB
 MWEBB@COMM.MSSTATE.EDU
 (501) 454-9322



BANNER:
A SEA TURTLE SAGA
 By Tonya Hays

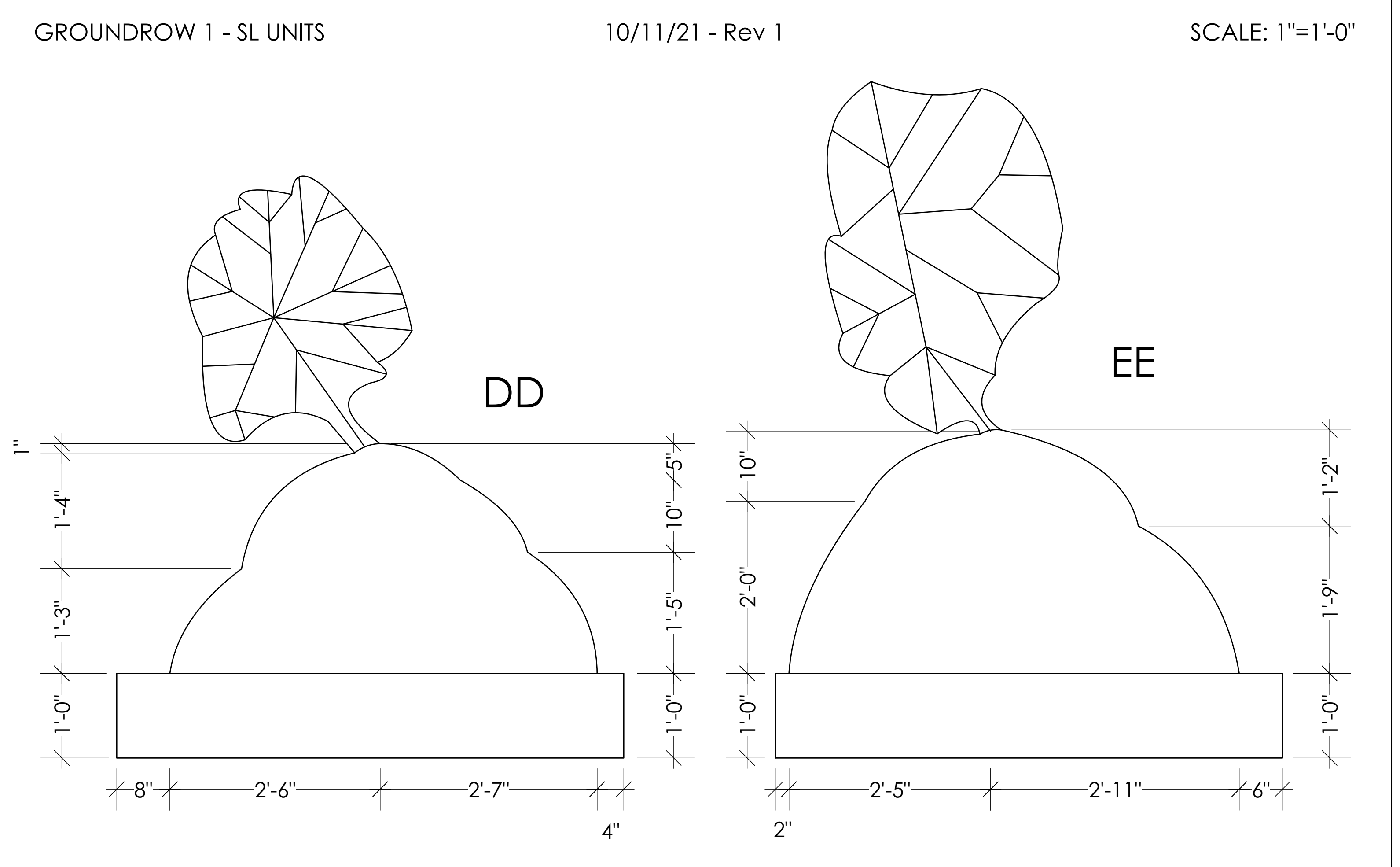
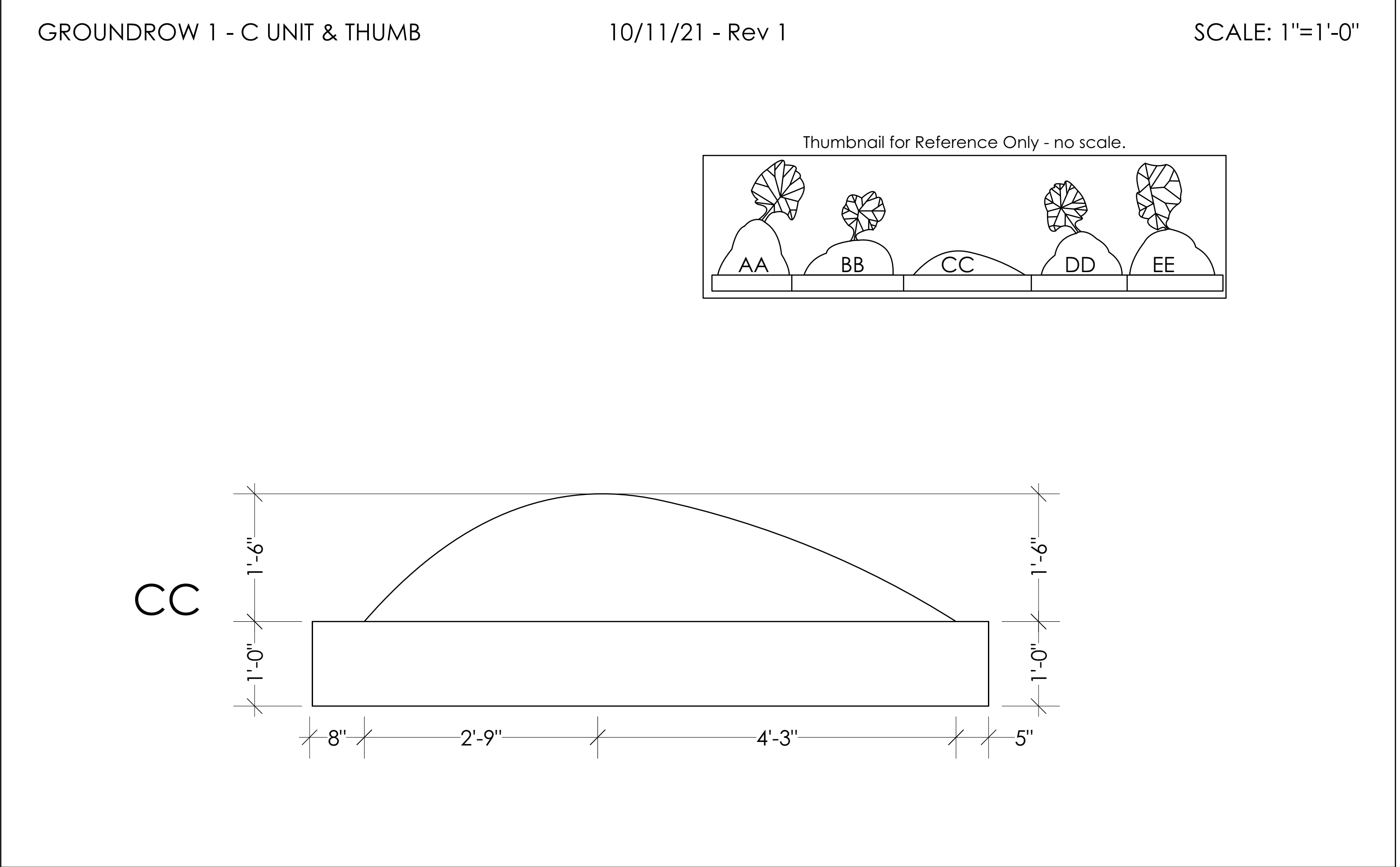
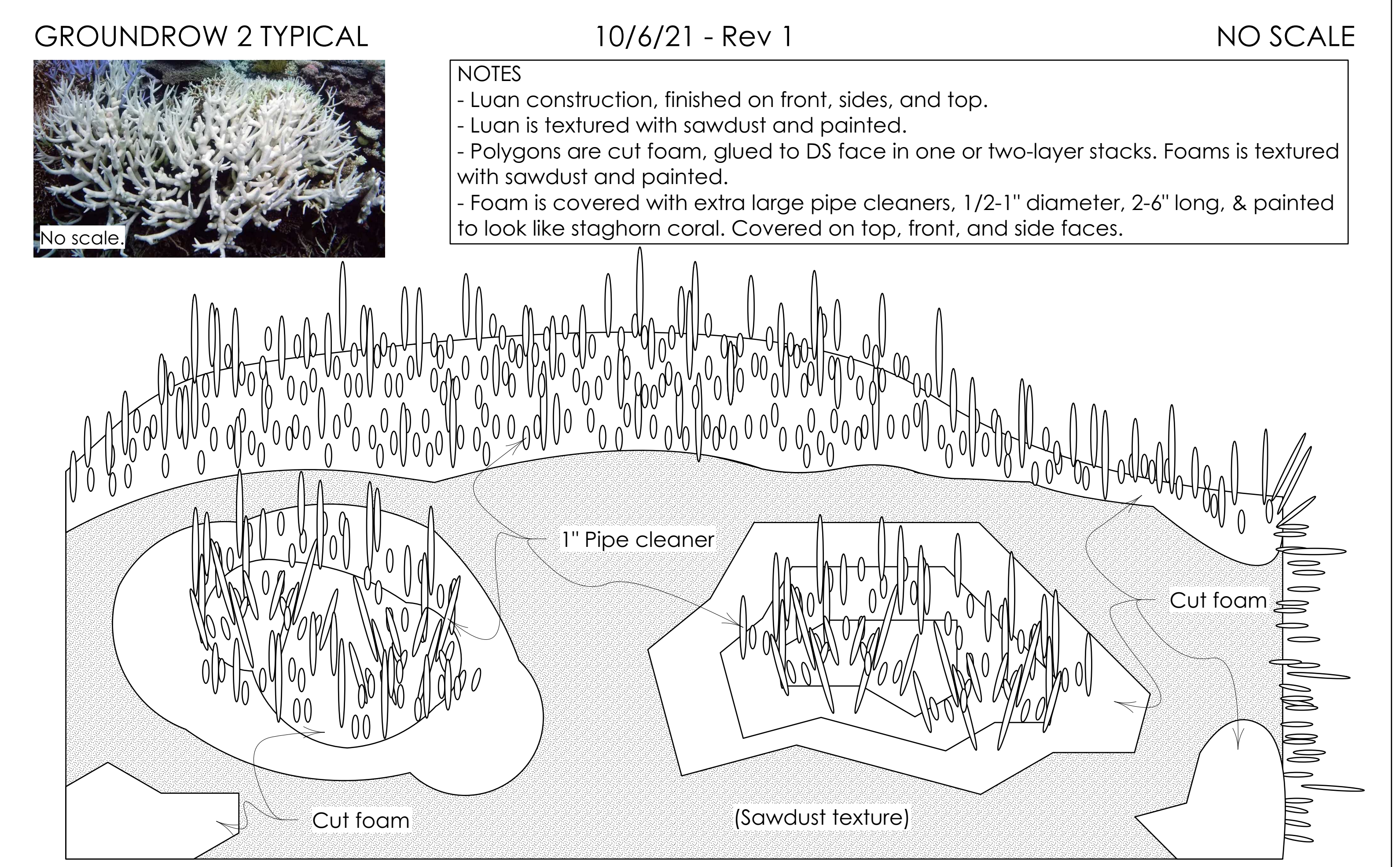
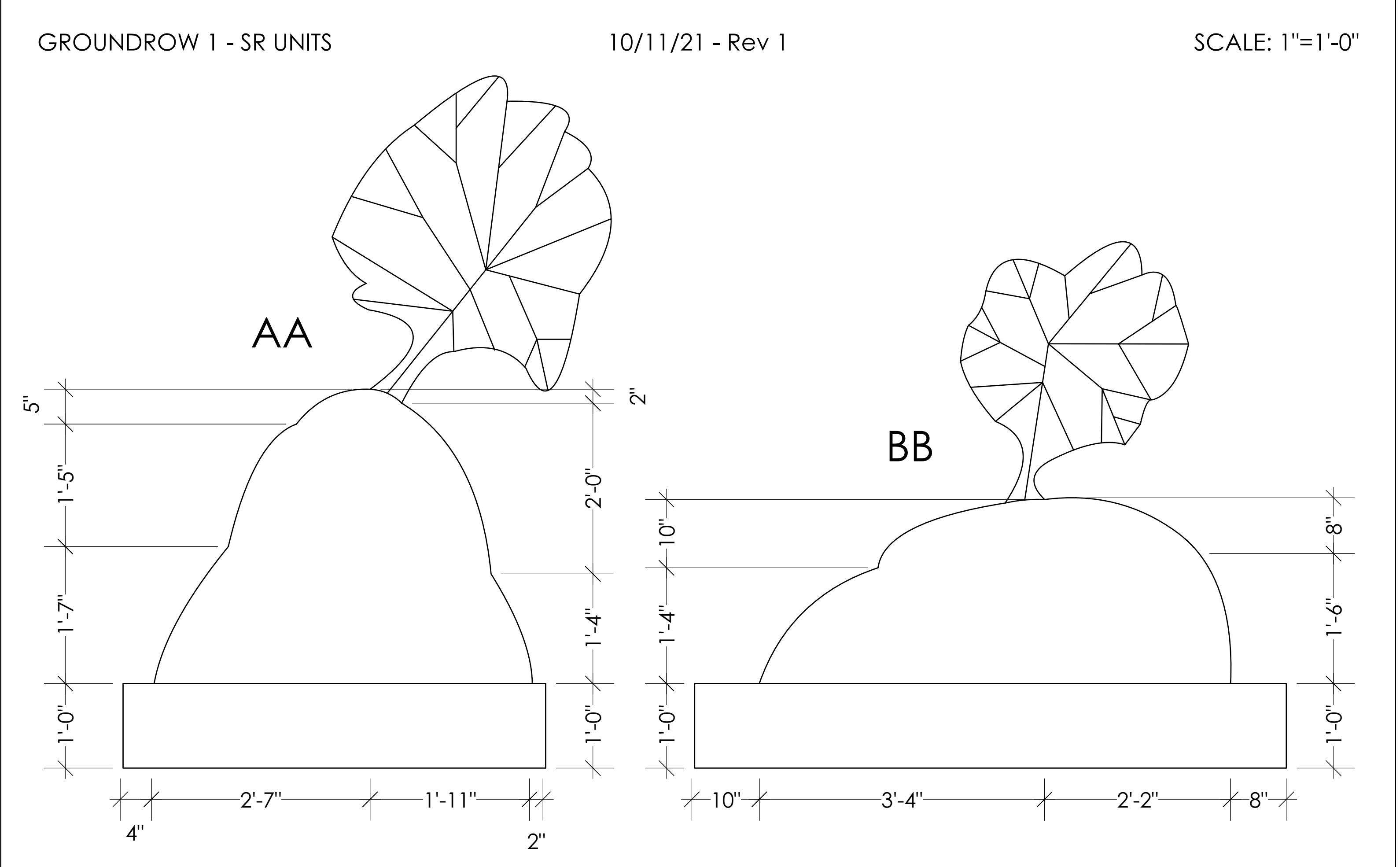
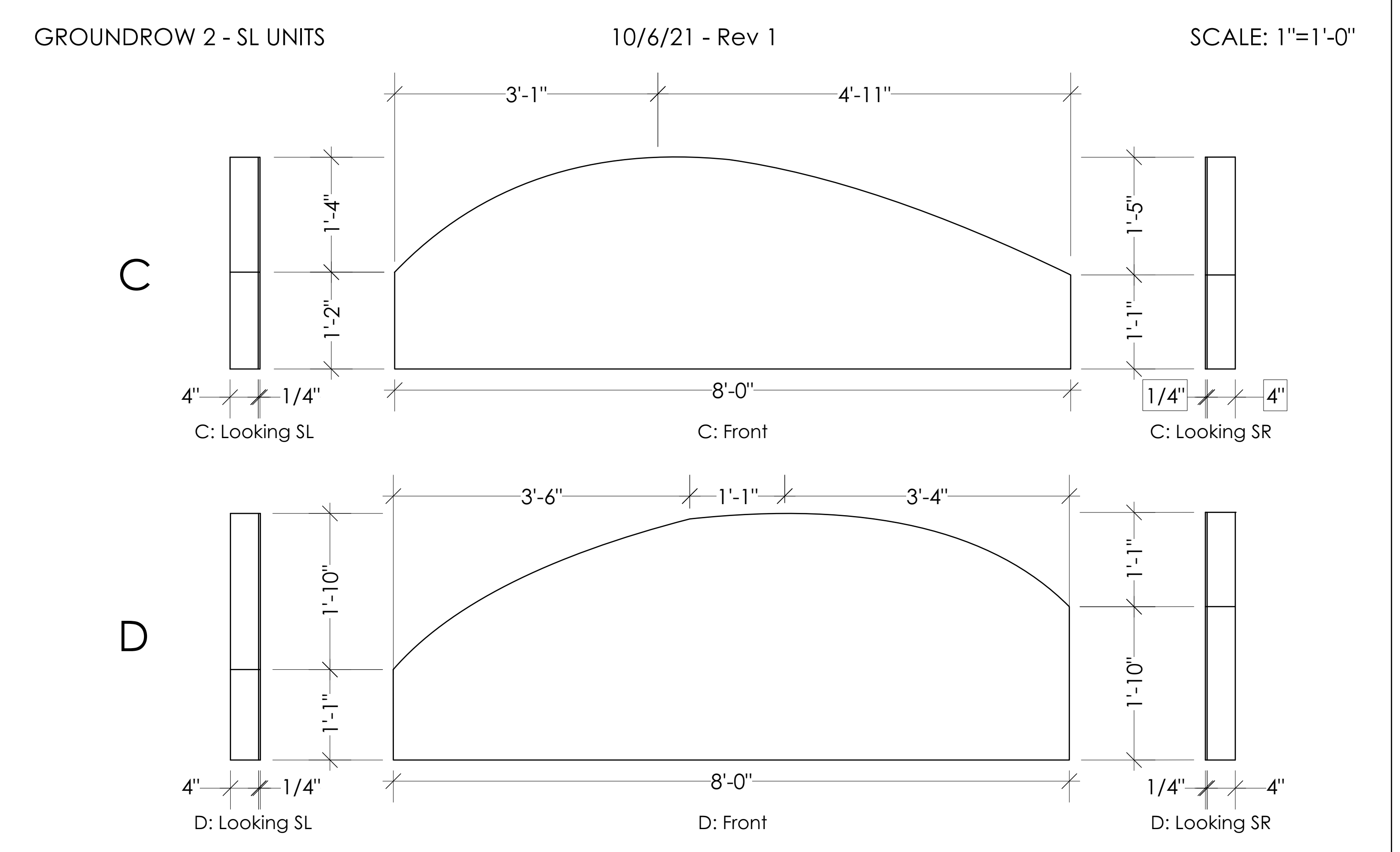
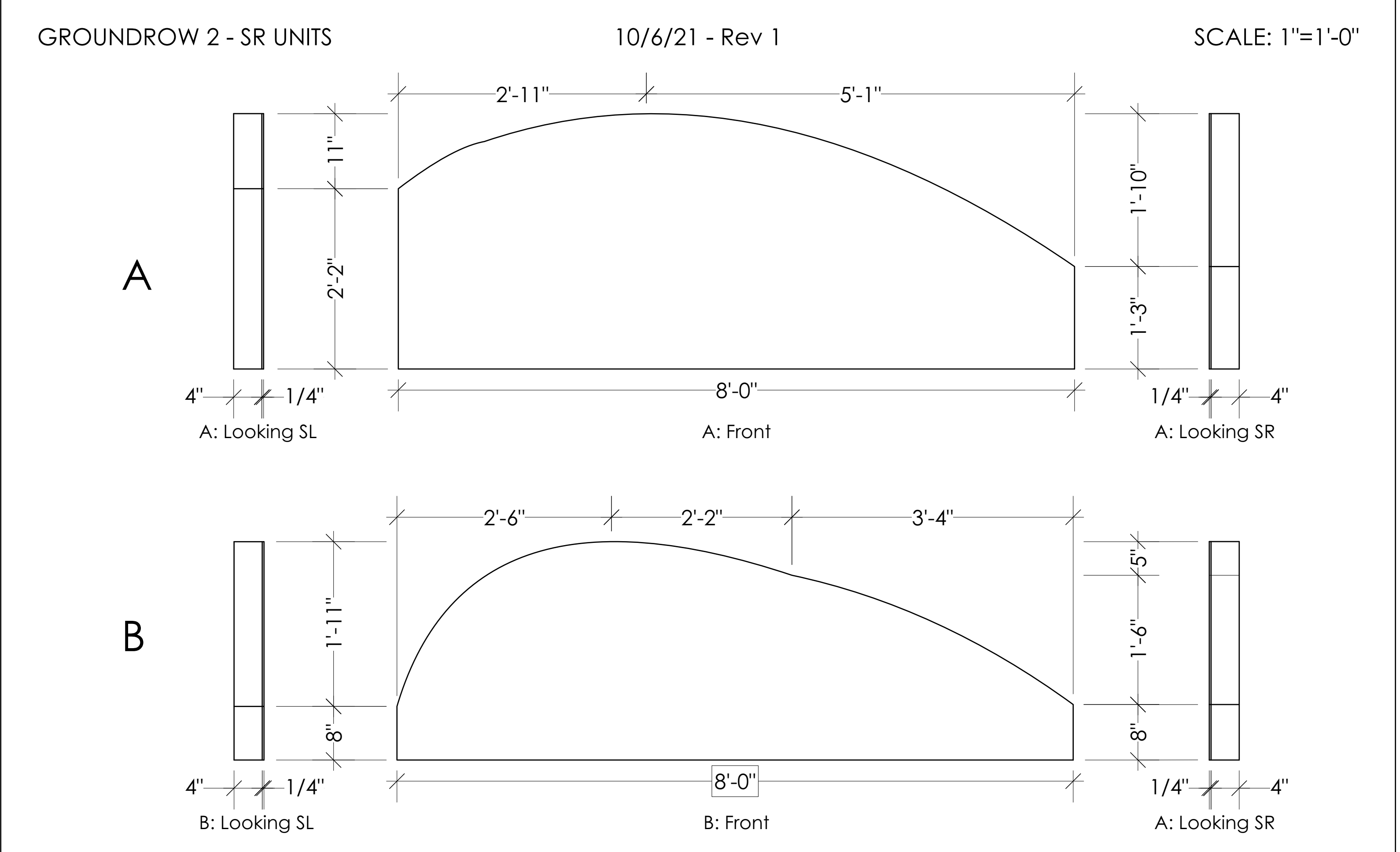
Directed by
 Tonya Hays
 Produced by
 Northern Gulf Institute &
 Theatre MSU

This is a representation of design concepts only. Matthew Webb takes no responsibility and herewith disclaims liability for any injury resulting from the implementation of these concepts. All work indicated by this drawing must be done in compliance with all applicable federal, state and local fire, safety and electrical codes. The lighting designer and his staff are responsible for visual design of the lighting and are not responsible for structural or electrical accidents resulting in injury or damage. All concepts, ideas, and design elements shown on this drawing and all other documentation or related materials are the property of Matthew Webb and may only be used for this production. The resultant design may not be reproduced without written approval by Matthew Webb.

LIGHTING: Paul Sullivan
 COSTUMES: Melanie Harris
 TD: Jesse Wade
 PUPPETS: Tim Baker
 SM: Donovan Andrade
 DRAWN BY: Matt Webb - mwebb@comm.msstate.edu
 SCALE: AS INDICATED
 PAPER: ARCH E
 DATE: 10/11/2021
 REVISION: 1

BUILD DRAWINGS

SHEET: 4 OF 5





SCENIC DESIGN BY
MATTHEW WEBB
MWEBB@COMM.MSSTATE.EDU
(501) 454-9322



BANNER:
A SEA TURTLE SAGA
By Tonya Hays

Directed by Tonya Hays
Produced by Northern Gulf Institute & Theatre MSU

This is a representation of design concepts only. Matthew Webb takes no responsibility and herewith disclaims liability for any injury resulting from the implementation of these concepts. All work indicated by this drawing must be done in compliance with all applicable federal, state and local fire, safety and electrical codes. The lighting designer and his staff are responsible for visual design of the lighting and are not responsible for structural or electrical accidents resulting in injury or damage. All concepts, ideas, and design elements shown on this drawing and all other documentation or related materials are the property of Matthew Webb and may only be used for this production. The resultant design may not be reproduced without written approval by Matthew Webb.

LIGHTING: Paul Sullivan
COSTUMES: Melanie Harris
TD: Jesse Wade
PUPPETS: Tim Baker
SM: Donovan Andrade
DRAWN BY: Matt Webb - mwebb@comm.msstate.edu
SCALE: AS INDICATED
PAPER: ARCH E
DATE: 10/11/2021
REVISION: 1

BUILD DRAWINGS

SHEET: 5 OF 5

